

CUSTOMER NAME

XXXXXX-XX

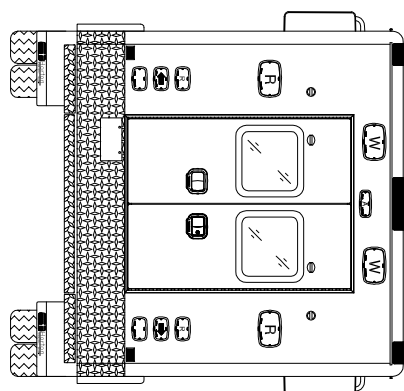
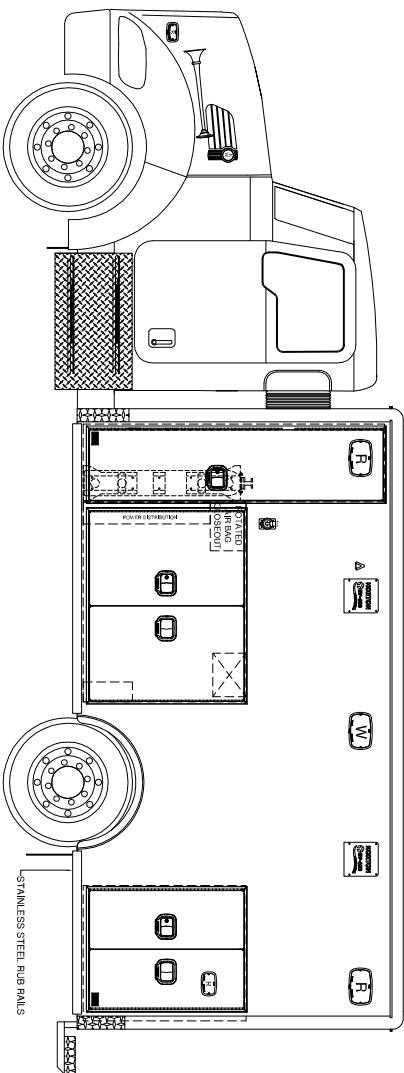
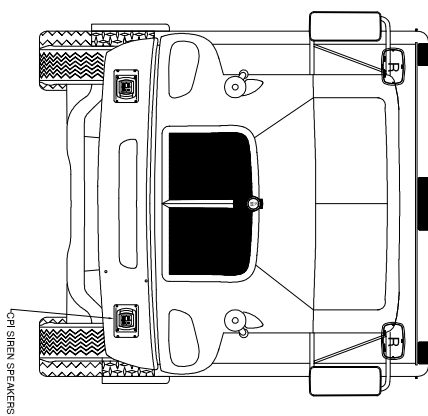
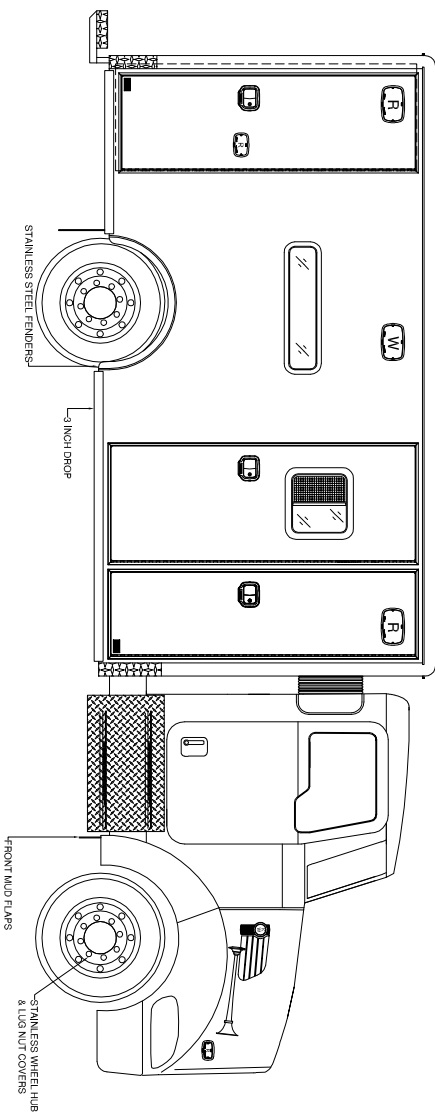
REVISIONS

| REV | DESCRIPTION | DATE |
|-----|--------------|---------|
| A | 623 EXTERIOR | 8/13/09 |

DRAWN BY: XXXXXXXXXXXXXXXXXXXXXXXXXXXXXXXX

| COMP | INSIDE WIDTH | INSIDE HEIGHT | INSIDE DEPTH | CLEAR OPENING WIDTH | CLEAR OPENING HEIGHT | CLEAR OPENING DEPTH |
|---------|--------------|---------------|--------------|---------------------|----------------------|---------------------|
| CS REAR | 29.61 | 83.82 | 21.36 | 25.09 | 80.66 | |
| CS INT | 16.25 | 29.55 | 21.36 | 12.16 | 26.19 | |
| CS ROW | 75.47 | 9.99 | 21.36 | 45.45 | 6.26 | |
| CS FWD | 28.00 | 65.00 | 22.25 | 22.13 | 62.65 | |

623 PT EXTERIOR
KENWORTH CHASSIS



| COMP | INSIDE WIDTH | INSIDE HEIGHT | INSIDE DEPTH | CLEAR OPENING WIDTH | CLEAR OPENING HEIGHT | CLEAR OPENING DEPTH |
|---------|--------------|---------------|--------------|---------------------|----------------------|---------------------|
| SS FWD | 21.43 | 63.83 | 21.36 | 18.73 | 60.46 | |
| SS INT | 55.42 | 45.00 | 21.36 | 51.80 | 41.87 | |
| SS LOW | 59.92 | 8.25 | 21.36 | 45.45 | 6.26 | |
| SS REAR | 37.44 | 45.00 | 21.36 | 32.09 | 41.87 | |

NOTE: DRAWINGS ARE FOR GRAPHICAL REPRESENTATION ONLY DIMENSIONS ARE APPROXIMATE & MAY VARY DURING CONSTRUCTION

SPECIFICATION DRAWING