

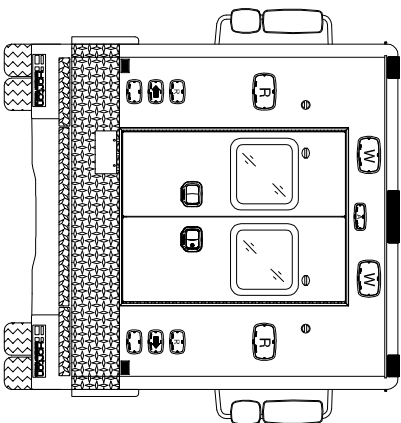
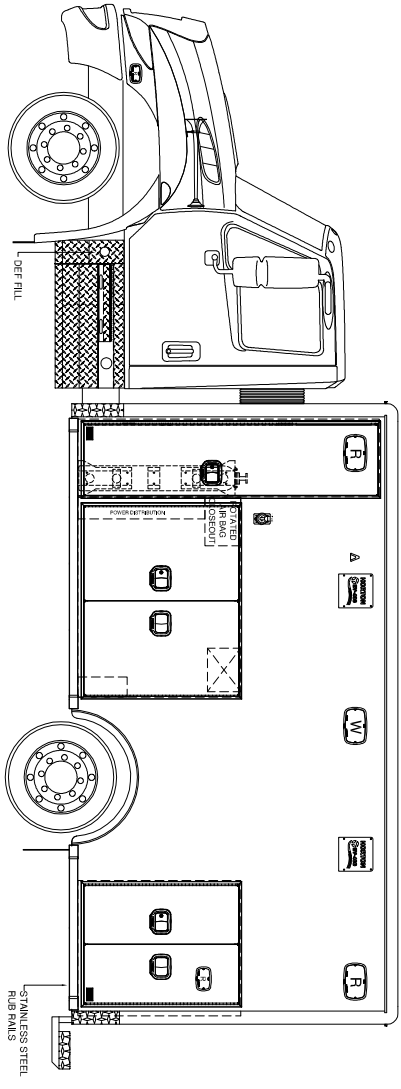
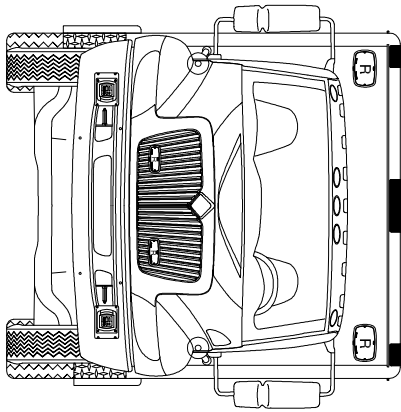
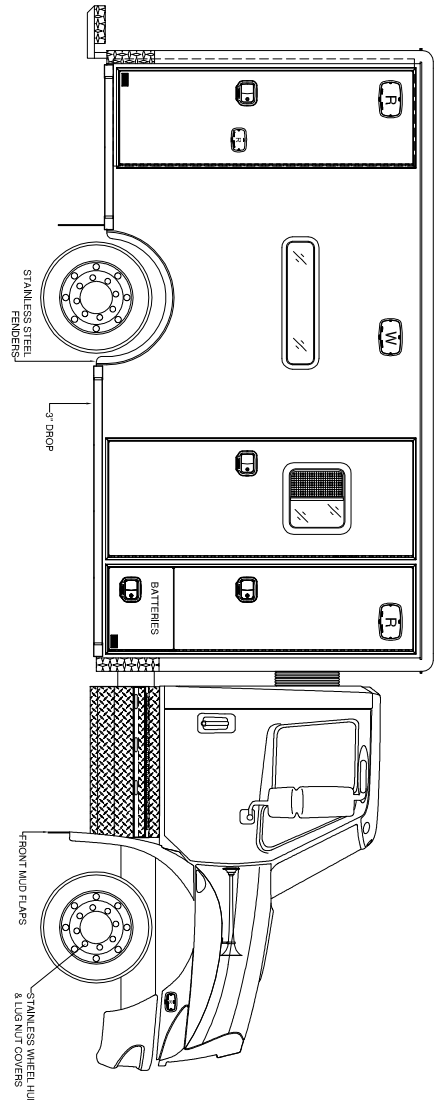
CUSTOMER NAME

XXXXXX-XX

REVISIONS		
REV	DESCRIPTION	DATE
A	623 EXTERIOR	8/13/09
DRAWN BY: XXXXXXXXXXXXXXXXXXXXXXXXXXXXXXX		

COMP	INSIDE WIDTH	INSIDE HEIGHT	INSIDE DEPTH	CLEAR OPENING WIDTH	CLEAR OPENING HEIGHT	CLEAR OPENING DEPTH
CS REAR	29.61	83.82	21.36	25.09	80.68	
CS INT	16.25	29.55	21.36	12.16	26.19	5.26
CS ROW	75.47	9.99	21.36	45.45	5.26	
CS FWD				22.13	83.85	

623 PT EXTERIOR NAVISTAR CHASSIS



COMP	INSIDE WIDTH	INSIDE HEIGHT	INSIDE DEPTH	CLEAR OPENING WIDTH	CLEAR OPENING HEIGHT	CLEAR OPENING DEPTH
SS FWD	21.43	83.83	21.36	18.73	80.88	
SS INT	55.42	45.00	21.36	51.80	41.87	
SS LOW	59.92	8.25	21.36	45.45	5.26	
SS REAR	37.44	46.01	21.36	32.09	41.87	

NOTE: DRAWINGS ARE FOR GRAPHICAL REPRESENTATION ONLY. DIMENSIONS ARE APPROXIMATE & MAY VARY DURING CONSTRUCTION.

SPECIFICATION DRAWING