

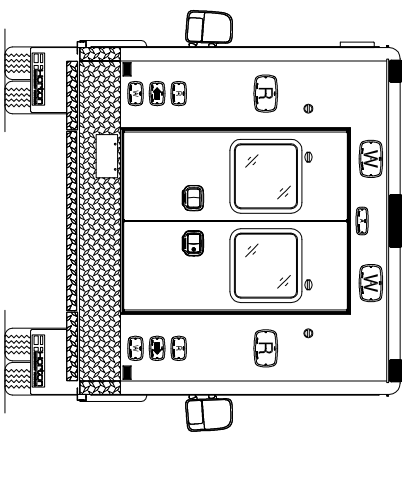
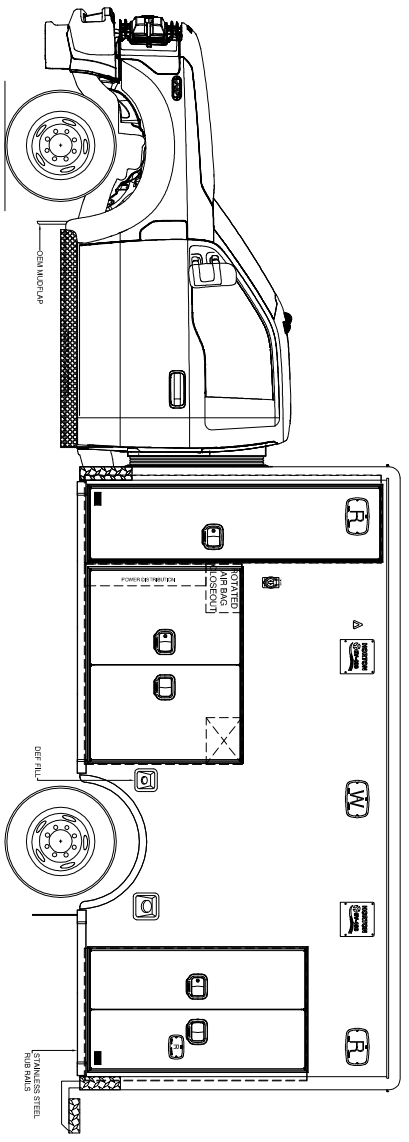
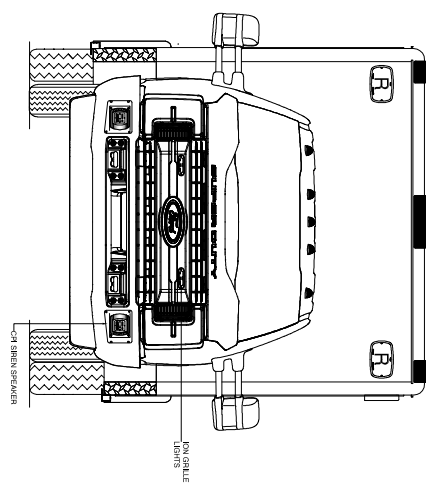
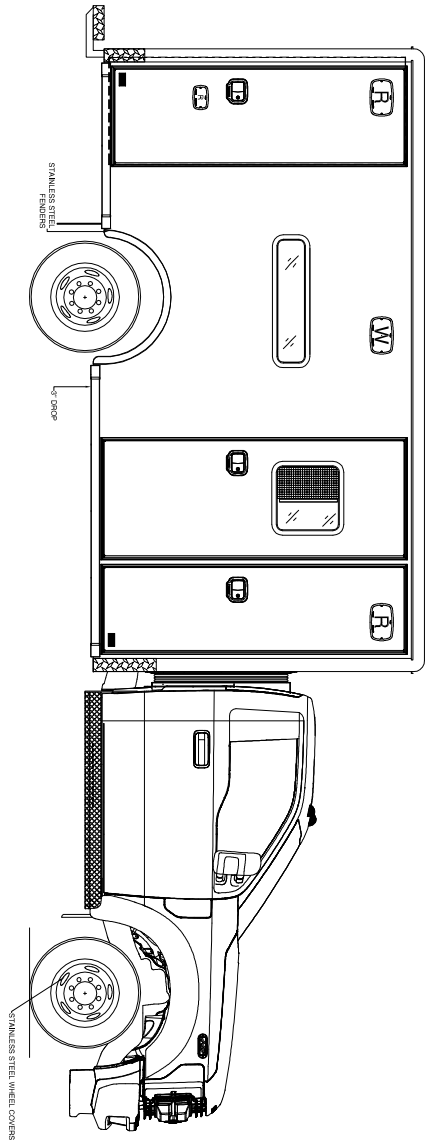
CUSTOMER NAME

NUMBER



REV.  
DRAWN BY: XXX  
12/15/17

623 CRAWL THROUGH  
FORD CHASSIS



NOTE: DRAWINGS ARE FOR GRAPHICAL  
REPRESENTATION ONLY  
DIMENSIONS ARE APPROXIMATE & MAY VARY  
DURING CONSTRUCTION

SPECIFICATION DRAWING