

CUSTOMER NAME

NUMBER

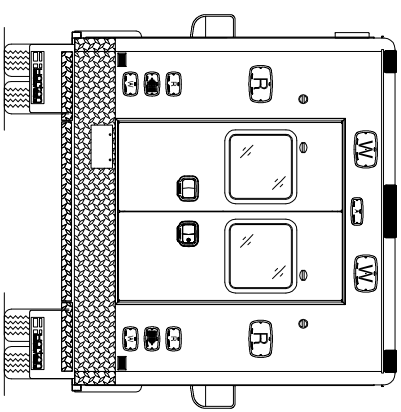
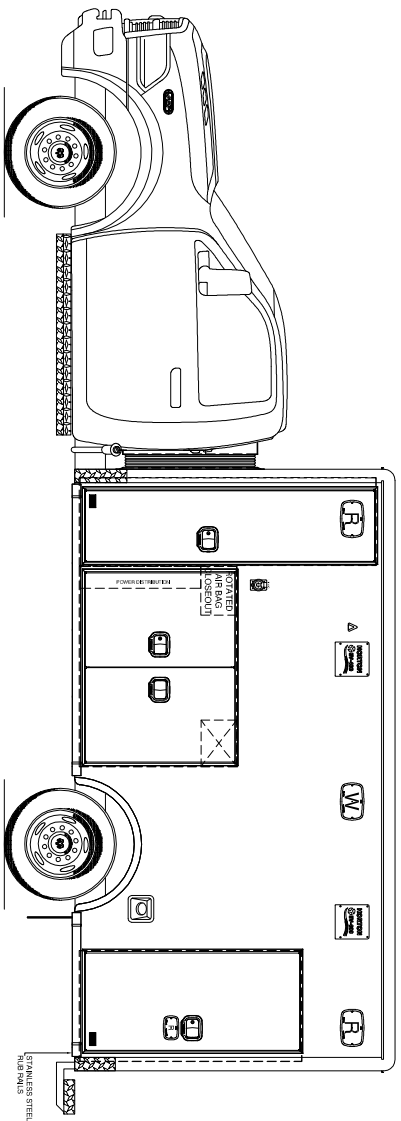
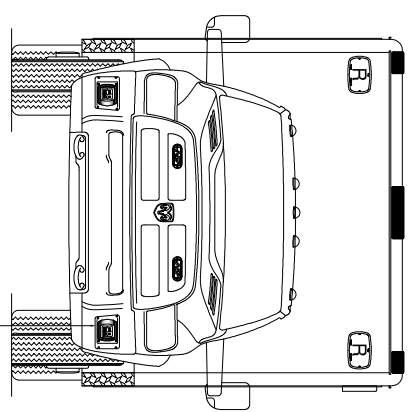
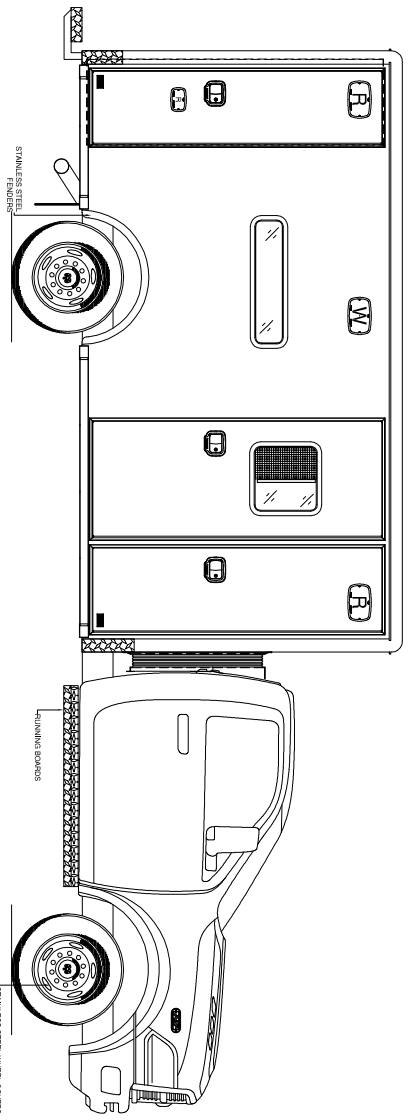


REV.

DRAWN BY: XXX

6/8/15

603 CRAWL THROUGH
DODGE CHASSIS



NOTE: DRAWINGS ARE FOR GRAPHICAL REPRESENTATION ONLY. DIMENSIONS ARE APPROXIMATE & MAY VARY DURING CONSTRUCTION

SPECIFICATION DRAWING